

LED outdoor light without sensor

GL 65

without motion detector
EAN 4007841 069469
Article number 069469



outdoor light

3000 K

3000K warm-white



IP44



IK03



energy saving

3 years

manufacturer's warranty
steinel.de/garantie



CE

Function description

The GL 65 floor and path luminaires provide elegance around the house. Made of high-quality aluminium and a luminaire body made of opal glass, they are a perfect match for the L 605 S wall luminaire and our L 620 CAM SC camera sensor luminaire. Also available with sensor.

Technical specifications

With lamp	Yes, LED lamp	Cover material	Glass opal
Manufacturer's Warranty	3 years	Mains power supply	220 – 240 V / 50 – 60 Hz
With remote control	No	Output	8,5 W
Version	without motion detector	Luminous flux total product	575 lm
PU1, EAN	4007841069469	Measured luminous flux (360°)	575 lm
Application, place	Outdoors	Total product efficiency	68 lm/W
Application, room	outdoors, garden, front door, courtyard & driveway, all round the building	Colour temperature	3000 K
Colour	Anthracite	Lamp	LED cannot be replaced
includes sheet of self-adhesive numbers	No	Service life LED L70B50 (25°)	> 36000 h
Installation site	Stand mounted	LED cooling system	Passive Thermo Control
Impact resistance	IK03	Soft light start	Yes
IP-rating	IP44	Interconnection	No
Protection class	I	Colour Rendering Index CRI	= 80
Ambient temperature	from -20 up to 40 °C	Product category	LED outdoor light without sensor
Housing material	Aluminium		

<https://www.steinel.de>

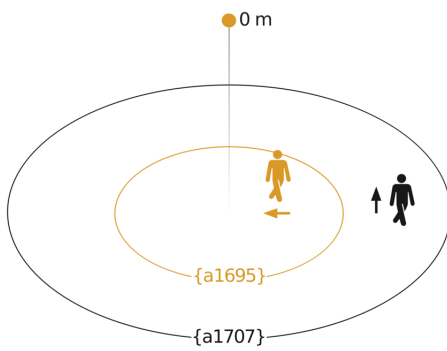
Subject to technical modifications

04.2025 Page 1 from 2

GL 65

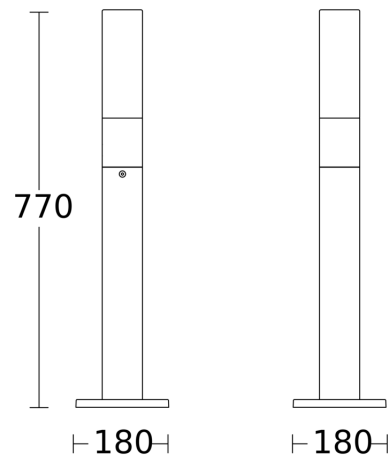
without motion detector
EAN 4007841 069469
Article number 069469

Detection Zone

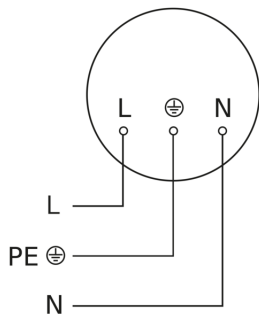


Possible mounting height: 0,00 m – 0,00 m
Orange: radial
Black: tangential

Dimension Drawing



Circuit diagram



Circuit diagram

